



## Rubber Competition Bumper Plate



Size: 5KG/10KG/15KG/20KG/25KG

Thickness: 25 /35 /48 /59 /75mm

Color: White /Green /Yellow /Blue /Red

Diameter: 450mm

Collar Opening:  $50.4 \pm 0.1$ mm

Weight Tolerance:  $\pm 10$ g



1. IWF Standard
2. Environmental-friendly Natural rubber.



3. Chrome coating with excellent rust prevention capability, more durable and attractive appearance.



4. Grooves texture design for non-slip.



## Competition Change Plate



Size /Diameter /Thickness

0.5KG / $\Phi$ 135mm /12.5mm    1 KG / $\Phi$ 160mm /15mm

1.5KG / $\Phi$ 175mm /18mm    2 KG / $\Phi$ 190mm /19mm

2.5KG / $\Phi$ 210mm /19mm    5 KG / $\Phi$ 230mm /26mm

Color: White /Green /Yellow /Blue /Red /White

Collar Opening: 50.4 $\pm$ 0.1mm

Weight Tolerance:  $\pm$ 10g



1. Environmental-friendly Nature rubber, odourless.



2. IWF Standard, weight tolerance  $\pm$ 10g.



3. The high-quality exterior of rubber coating for holding steady which matches with  $\Phi$ 50mm barbell.

## Premium Color Stripe Bumper Plate



Size: 5KG/10KG/15KG/20KG/25KG

Thickness: 27 /29 /49 /59 /75mm

Color: White /Green /Yellow /Blue /Red

Diameter: 450mm

Collar Opening: 50.4 ±0.2mm

Weight Tolerance: ±1%



1. Environmental rubber, Color stripe design for quick weight identification, thinner design to load more weight on the barbell.



2. Stainless steel inserts for longer service life.



3. Grooves texture design for non-slip.



## Urethane Bumper Plate



Size: 10KG/15KG/20KG/25KG

Thickness: 35 /40 /50 /54mm

Color: Pink /Green /Yellow /Blue /Red

Diameter: 450mm

Collar Opening:  $50.4 \pm 0.2$ mm

Weight:  $\pm 1\%$



1. Environmental-friendly CPU, good abrasion resistance, more crash resistant capability.



2. Chrome coating with excellent rust prevention capability, more durable and attractive appearance.



3. Appropriate hardness, minimize the bounce on the drop for safe training.

# Stripe Chrome Steel Plate



Size /Diameter /Thickness  
0.25KG /Φ112mm /4.5mm    0.5KG /Φ134mm /6mm  
1.25KG /Φ160mm /9.3mm    2.5KG /Φ190mm /14.5mm  
5 KG /Φ228mm / 18mm    10 KG /Φ325mm /17mm  
15 KG /Φ400mm / 19mm    20 KG /Φ450mm /19mm  
25 KG /Φ450mm / 22mm  
Stripe Color: White /Green /Yellow /Blue /Red  
Collar Opening: 50.5± 0.1mm  
Weight Tolerance: ± 0.5%



1. Laser cutting and NC precision grind.



2. Chrome coating with excellent rust prevention capability, more durable and attractive appearance.



3. Color stripe design for quick weight identification.



## Chrome Steel Plate -Pro



Size /Diameter /Thickness

5 KG / $\Phi$ 228mm /18mm

10 KG / $\Phi$ 325mm /17mm

15 KG / $\Phi$ 400mm /17mm

20 KG / $\Phi$ 450mm /17mm

25 KG / $\Phi$ 450mm /21mm

Collar Opening:  $50.5 \pm 0.1$ mm

Weight Tolerance:  $\pm 30$ g

custom logo: Chrome steel end cap+ rubber raised logo underneath



1. Laser cutting and NC precision grind.



2. Chrome coating with excellent rust prevention capability, more durable and attractive appearance.



3. Novel grooves design for grip the plate easily.

## Calibrated Powerlifting Plate



Size /Diameter /Thickness  
10 KG / $\Phi$ 325mm /17mm  
15 KG / $\Phi$ 400mm /17mm  
20 KG / $\Phi$ 450mm /18mm  
25 KG / $\Phi$ 450mm /22mm  
Collar Opening:  $50.5 \pm 0.1$ mm  
Weight Tolerance:  $\pm 15$ g



1. 50.5mm collar opening for a snug fit.



2. Calibration steel plugs on back of plates for a greater level precision.



3. Durable colorful powder coating for standard PL training.





## Rubber Hand Grip Plate



Size	/Diameter	/Thickness
5 KG	/Φ300mm	/25mm
10 KG	/Φ360mm	/29mm
15 KG	/Φ390mm	/35mm
20 KG	/Φ420mm	/35mm
25 KG	/Φ450mm	/37mm
Collar Opening: 50.4±0.2mm		
Weight Tolerance: ±2%		



1. Laser cutting and NC precision grind.



2. One-piece vulcanization plate, ergonomic comfortable grip, durable stainless center ring.



3. Environmental rubber, Color stripe design for quick weight identification.

## Warrior Wheel Bumper Plate



Size: 30KG /35KG

Thickness: 53 /56mm

Diameter: 660mm

Collar Opening:  $50.4 \pm 0.2$ mm

Weight Tolerance:  $\pm 1\%$



1. Special heavy weight design for strong trainers.



2. Environmental-friendly natural rubber.



3. Novel grooves design for grip the plate easily.



## Technique Plates



Size: 2.5KG/5KG

Thickness: 81/100mm

Color: /Red/White

Diameter: 450mm

Collar Opening:  $50.4 \pm 0.1$ mm

Weight Tolerance:  $\pm 30$ g



1. Special HDPE material.



2. Design for Teenagers and beginners.



3. Hollow design with consistent tenacity on the drop.

## Urethane Dumbbell Bumper



Size: 5KG /7.5KG /10KG /15KG /20KG

Thickness: 29mm/37mm/46mm/64mm/81mm

Color: Black /Green /Yellow /Blue

Diameter: 230mm

Collar Opening: 50.4mm±0.2mm

Weight Tolerance: ±1%



1.Environmental-friendly CPU, good abrasion resistance, more crash resistant capability.



2.Chrome coating with excellent rust prevention capability, more durable and attractive appearance.



3.Compact design, a more centralized weight distribution to load more weight on dumbbell.



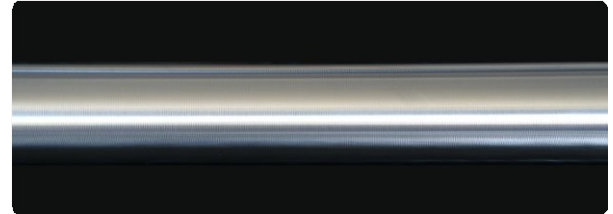
# Weightlifting Barbell



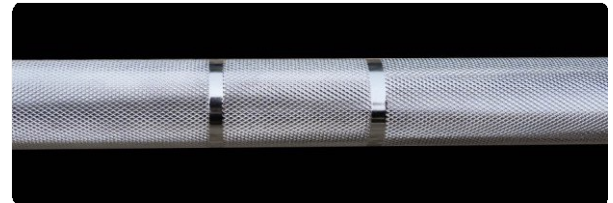
产品名称	重量	总长	手握直径	轴承数	放片尺寸	最大承重
Competition Weightlifting	20KG	2200mm	28mm	10	415mm	1500LB
Competition Weightlifting	15KG	2010mm	25mm	10	320mm	1200LB
Multi-function Training	20KG	2200mm	28mm	8	415mm	1200LB
Multi-function Training	15KG	2010mm	25mm	8	320mm	1000LB
Powerlifting Barbell	20KG	2200mm	29mm	0	432mm	1800LB



1. Quality needle / bearings, friction-welded sleeves, non-abrasive knurl pattern.



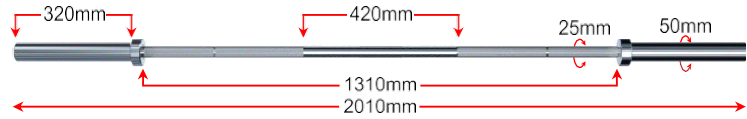
2. Precision on design and construction.



3. Excellent chrome coating for rust prevention, different knurl grade for non-slip purpose.

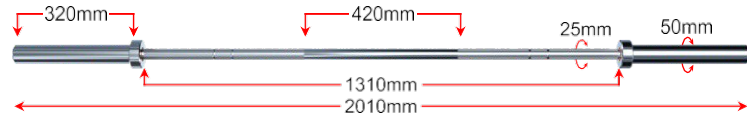
## Competition Weightlifting

1.2mm Knurling



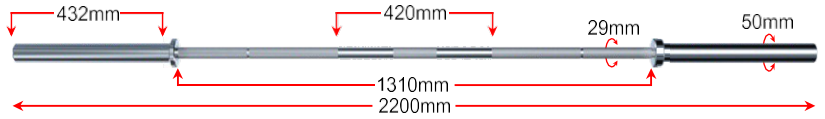
## Multi-function Training

1.2mm Knurling



## Powerlifting Barbell

1.5mm Knurling



# 1.38m Barbell



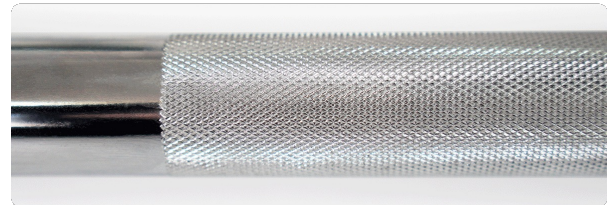
Product name	Weight	Length	Diameter	Sleeve length	Max loadable weight
1.38m Barbell	12.5KG	1380mm	28mm	265mm	150KG



1. The quality bronze bushing construction, friction-welded sleeves, no-abrasive knurl pattern.



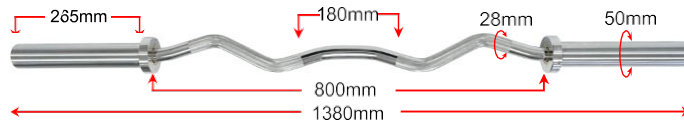
2. Precision on design and construction.



3. Excellent chrome coating for rust prevention.



## 1.38m Curl Barbell



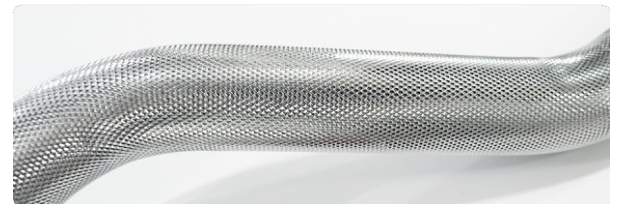
Product name	Weight	Length	Diameter	Sleeve length	Max loadable weight
1.38m Curl Barbell	12.5KG	1380mm	28mm	265mm	150KG



1. The quality bronze bushing construction, friction-welded sleeves, no-abrasive knurl pattern.



2. Precision on design and construction.



3. Excellent chrome coating for rust prevention.



## Loadable Dumbbell Bar



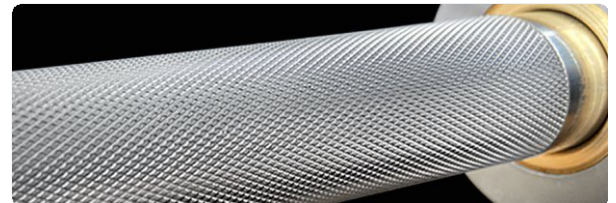
Size: 3.5KG/5KG/7.5KG  
Length: 364/435/590mm  
Sleeve length: 102/133/215mm  
Sleeve diameter: 50.0mm  
Diameter of Handle: 28mm  
Application type: rubber weight plate, strength weight plate, dumbbell plate



1. Chrome coating with excellent rust prevention capability, more durable and attractive appearance.



2. Quality bronze bushings for a smooth spin.



3. Non-abrasive knurl pattern.

## Fixed Chromed Steel Dumbbell



Size: 2.5KG/ 60KG

Diameter of Handle: 20mm/32mm/34mm

Weight Tolerance:  $\pm 1\%$



1. Excellent chrome coating, high rust prevention capability, more durable.



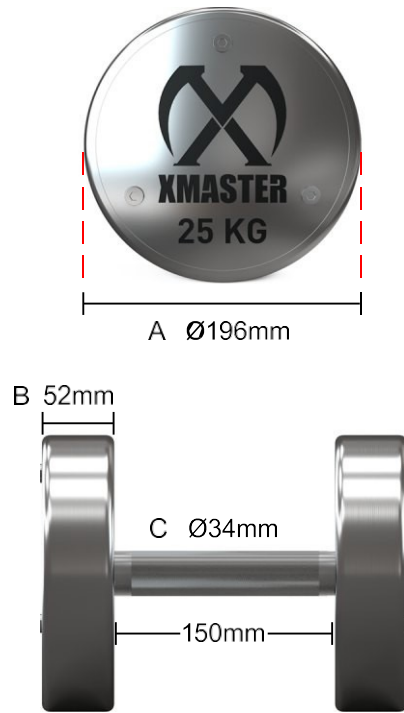
2. Precision work design, a more centralized weight distribution for good feel of training.



3. Custom logo available.



## Fixed Chromed Steel Dumbbell



Size	A Diameter	B Plate thickness	C Diameter of Handle
2.5KG	128mm	12mm	20mm
5KG	128mm	23mm	32mm
7.5KG	156mm	23mm	32mm
10KG	156mm	32mm	32mm
12.5KG	156mm	40mm	20mm
15KG	176mm	39mm	32mm
17.5KG	176mm	45mm	32mm
20KG	176mm	52mm	32mm
22.5KG	196mm	47mm	34mm
25KG	196mm	52mm	34mm
27.5KG	196mm	57mm	34mm
30KG	196mm	63mm	34mm
32.5KG	196mm	68mm	34mm
35KG	196mm	73mm	34mm
37.5KG	196mm	79mm	34mm
40KG	196mm	84mm	34mm
42.5KG	196mm	89mm	34mm
45KG	196mm	94mm	34mm
47.5KG	196mm	100mm	34mm
50KG	196mm	105mm	34mm
52.5KG	196mm	110mm	34mm
55KG	196mm	116mm	34mm
57.5KG	196mm	121mm	34mm
60KG	196mm	126mm	34mm

## Chrome Dumbbell Bar



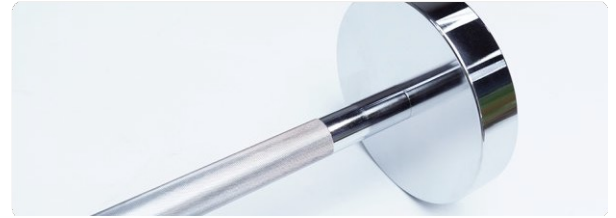
Size:

10KG /12.5KG /15KG /17.5KG /20KG /25KG

Diameter: 156mm /176mm /196mm

Diameter of handle: 32mm

Weight:  $\pm 1\%$



1. Excellent chrome coating, high rust prevention capability, more durable.



2. Compact design, a more centralized weight distribution for good feel of training.



3. Special design combines weightlifting and traditional dumbbells for a great feel and performance.



## Chrome Curl Dumbbell Bar



Size:  
10KG /12.5KG /15KG /17.5KG /20KG /25KG  
Diameter: 156mm /176mm /196mm  
Diameter of handle: 32mm  
Weight:  $\pm 1\%$



1. Excellent chrome coating, high rust prevention capability, more durable.



2. Compact design, a more centralized weight distribution for good feel of training.



3. Special design combines weightlifting and traditional dumbbells for a great feel and performance.



## Aluminum Collar (Pair)



Size: 0.32KG/Pair  
Thickness: 33mm  
Material: Aluminum construction  
Diameter: 70mm  
Collar Opening: 50mm



1. Aluminum construction and rubberized interior lining.



2. Durable, non-slip for a steady hold on standard 50mm barbell.



3. Secure hold capability through repeated drops, quick release design.

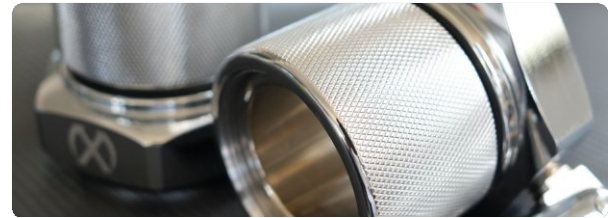
## 2.5KG Competition Steel Collar (Pair)



Size: 5KG/Pair  
Thickness: 93mm  
Material: Steel  
Diameter: 102mm  
Collar Opening: 50.2mm



1. Excellent chrome coating, high rust prevention capability.



2. Accurate weight tolerance for competition use.



3. Secure hold capability through repeated drops.



## 2.5KG Groove Sleeve Steel Collar (Pair)



steel debossed logo and weight number for custom brands

Size: 5KG/Pair  
Thickness: 71mm  
Material: Steel  
Diameter: 135mm  
Collar Opening: 50.2mm



1. Excellent chrome coating, high rust prevention capability.



2. Accurate weight tolerance for competition use.



3. Secure hold capability through repeated drops.





## Urethane Competition Kettlebell



Size: 4KG /6KG /8KG /12KG /16KG/

20KG /24KG /28KG /32KG

Width: 210, Height: 295mm

Color: Pink /Blue /Yellow /Purple /Green /orange /Red

Diameter of Handle: 34mm

Weight Tolerance:  $\pm 1\%$



1. Good abrasion resistance, more crash resistant capability, environmental-friendly CPU.



2. Solid handle bar with quality chrome, firm touch feel, non-slip.



3. Durable CPU coating around the entirety of the kettlebell to prevent the scuffs.

## Medicine Ball



Weight range: 6 /10 /14 /20 /25 /30LB

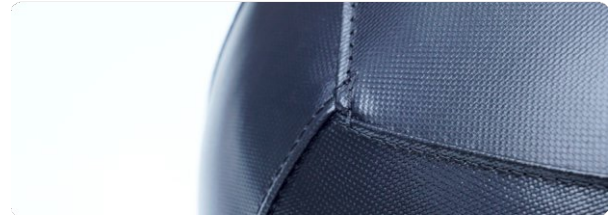
Diameter: 340mm

Material: 1000D PVC+PP cotton+ Iron Sand

Weight tolerance:  $\pm 1\%$



1. Precision PVC leather coated construction with double stitched seam technology.



2. The interior flexible filling help to keep the ball shape across long time use and it is safe for high-speed, and high-intensity training.



3. Scuff-resistant material for a long lasting use on various training applications.



## AB MAT



Size: 750X310X80MM

Material: Leather+ EPE

Weight: 0.95KG  $\pm$ 1%

Usage: core training accessory



1. Light weight with adjustable design for efficiently abdominal workout in anywhere.



2. Well selected leather coverage which is easy for cleaning after used in home gyms and commercial gyms.



3. Soft but with integrity firm foam inside which ensure the comfortable training use.

# Ring



Specification : 2.8M/5M  
Material: solid birch  
Color : Wooden  
Interior diameter: 173mm  
Outer diameter: 236mm  
Handgrip diameter: 32mm



1. Made of solid birch, anti-slip absorbent surface for safety gymnastic strength training.



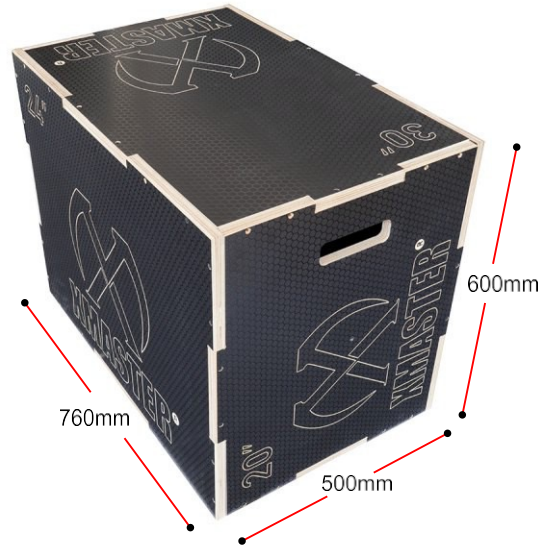
2. High load-bearing sturdy carabiner and reinforced scuff-resistant ring straps in the safe using.



3. Easy to adjust the ring straps for different gymnastic training height.



## Wooden Plyometric Boxes



Size: 760X500X600MM  
Wooden thickness: 18.5mm  
Net Weight: 24.1KG  
Loading bearing : 180KG



1. high density plywood material which is not easy to be distorted.

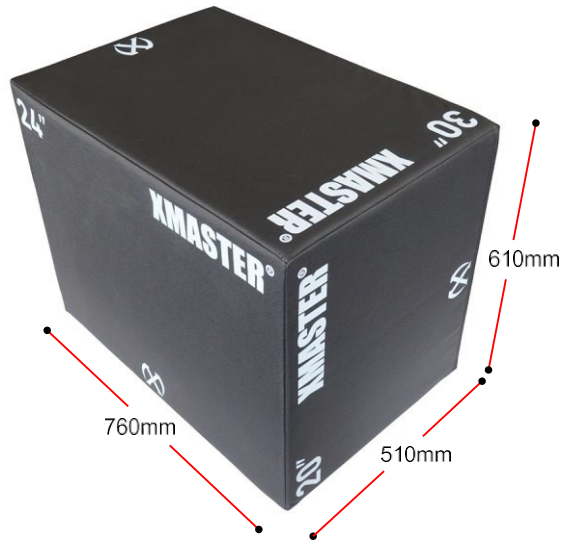


2. Reinforced inside construction for safe and effective plyometric training.



3. Scratch-resistant and anti-slip honeycomb coverage bring a cool outlook.

## Foam Plyo Boxes



Size: 760X510X610mm  
Material: EVA  
Net Weight: 23.1KG  
Loading bearing: 180KG



1. Precision EVA coated construction with custom brand on six sides.



2. High density protective padding inside and soft foam on all sides bring a secure training feelings.



3. Scratch-resistant and water-proof coverage supplying a anti-slip function at the same time.



## Crash Cushion



Net Weight: 25kg per pair  
Product Size: 750x600x150 MM  
Material: High Density upholstery  
Sponge Density: 150KG/M<sup>3</sup>  
Function: Sound attenuation and protects flooring

## Size

Please Note: Each bench is slightly measurements error due to the manual measuring.



High Density upholstery designed to lower the bounce and protect the trainer

# Dumbbell Rack



Net Weight: 60KG~200KG  
Assembling Size: Vary with different storage ability  
Material: Quality Steel  
Surface Finish: Chrome Coating  
Steel Thickness: 10mm



1. Quality Steel / Easy assembling / Secure Weight Capacity / Secure Stability



2. This rack available in two tiers and various dumbbell storage ability, store up to 5 pairs ~ 20 pairs.

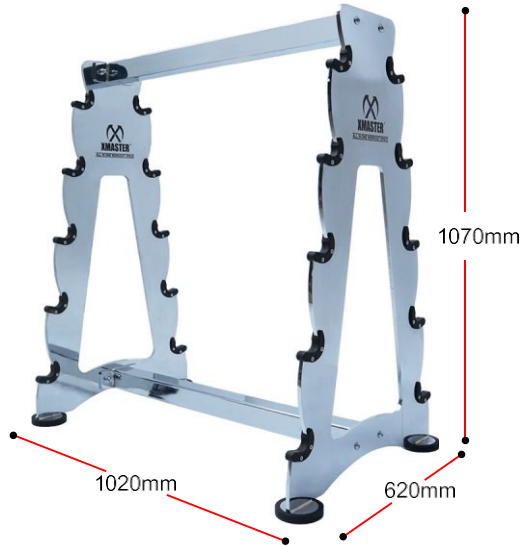


3. The construction of the dumbbell racks allows to be assembled together to meet the needs of larger facilities.





## Fixed Weight barbell Rack



Net Weight: 58KG  
Assembling Size: 1020mmx620mmx1070mm  
Material: Quality Steel  
Surface Finish: Chrome Coating  
Steel Thickness: 10mm



1. Quality Steel / Easy assembling / Secure Weight Capacity / Secure Stability



2. The angled shelves designed with rubber coated supporter to prevent the dumbbells from sliding.



3. Two sides design with 10 piece of storage ability at the same time. Special construction design with chrome coating creating an exquisite appearance.

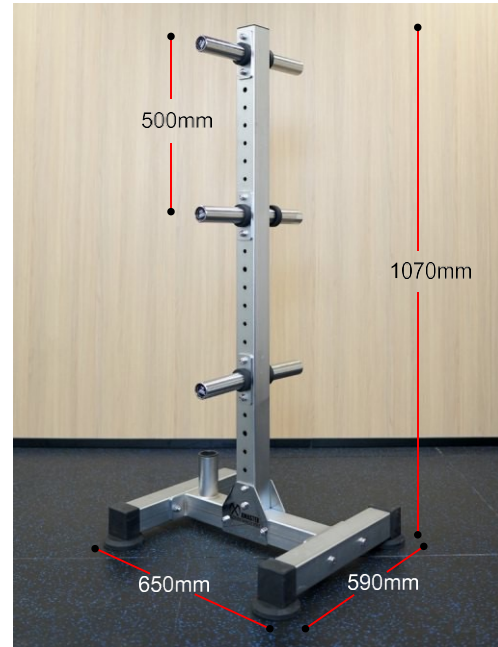
# Vertical Plate Tree



Net Weight: 50KG  
Assembling Size: 680X590X1600mm (L\*W\*H)  
Steel Size: 75X75X3mm  
Length of Storage Pin: 180mm  
Spaced at each Storage Pin: 500mm

# Size

Please Note: Each bench is slightly measurements error due to the manual measuring.



1. Durable non-slip rubber feet for extra stability and protect the floor.
2. Bolt-together design for the efficient assemble and it can reduce the shipping costs.



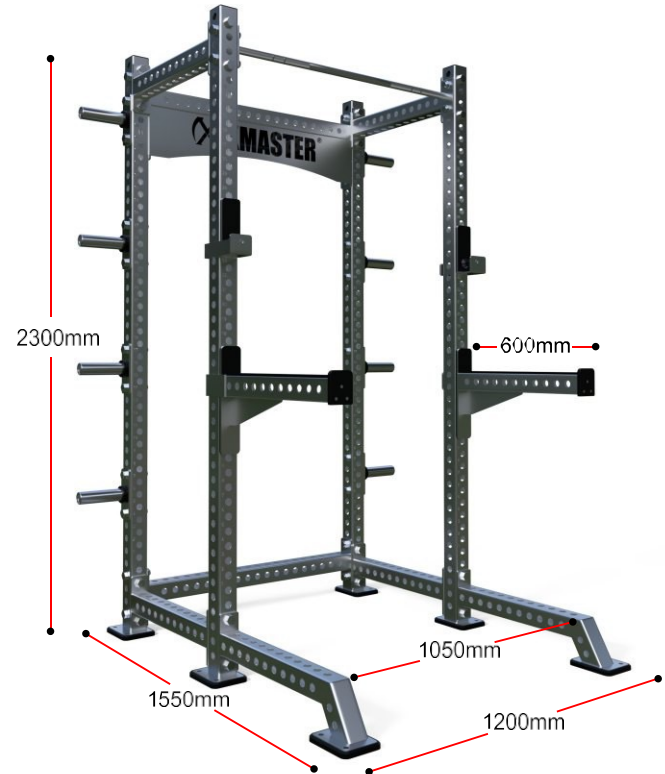
# Multi Purpose Half Rack



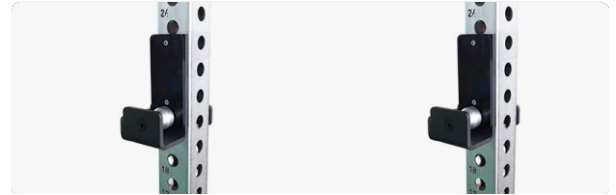
Net Weight: 230KG  
Assembling Size: 1200x1550x2300 (L \* W \* H)  
Steel Size: 75X75X3mm  
Storage Capacity: 600KGS  
Spaced at each Storage Pin: 500mm  
Length of Storage Pin: 180mm

## Size

Please Note: Each bench is slightly measurements error due to the manual measuring.



# Multi Purpose Half Rack



## 1.Perfection positioning

A set of standard J-CUPS with XMASTER logo, adjustable space to achieve the perfection positioning for your bench press.



## 2.Positioning Holes

Eight plate posts with high space efficiency to store more plates. Adjustable holes with laser numbers for easy achieve your height options.



## 3.Secure ability

Heavy-duty steel rack and safety spotter arms are designed to protect both the trainer and barbell.



## The Customized Solutions



Xmaster provide the customized options as your expand accessories for racks as below:

- J-CUP
- Safety-arms
- Custom Logo arch
- Uprights

# Multi Purpose Full Rack



Net Weight: 170KG

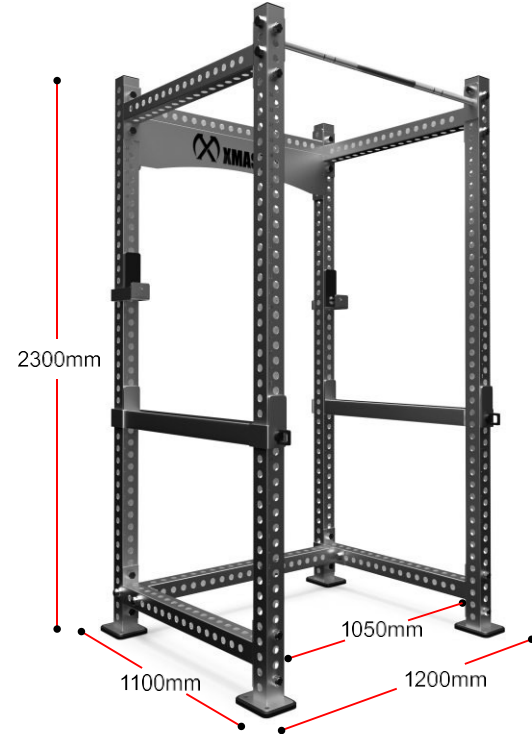
Assembling Size: 1200x1100x2300 (L \* W \* H)

Steel Size: 75X75X3mm

Spaced at each Storage Pin: 500mm

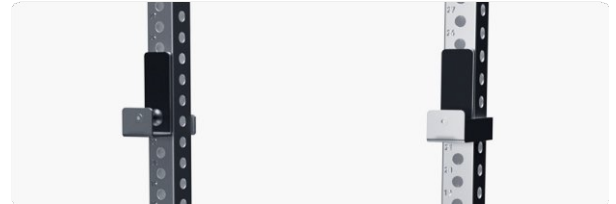
## Size

Please Note: Each bench is slightly measurements error due to the manual measuring.





# Multi Purpose Full Rack



## 1.Perfection positioning

A set of standard J-CUPS with XMASTER logo, adjustable space to achieve the perfection positioning for your bench press.



## 2.Positioning Holes

Adjustable holes with laser numbers for easy achieve your height options.



## 3.Secure ability

Heavy-duty steel rack and safety spotter arms are designed to protect both the trainer and barbell.